



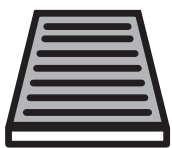
PROTECT

combined with active carbon



715503

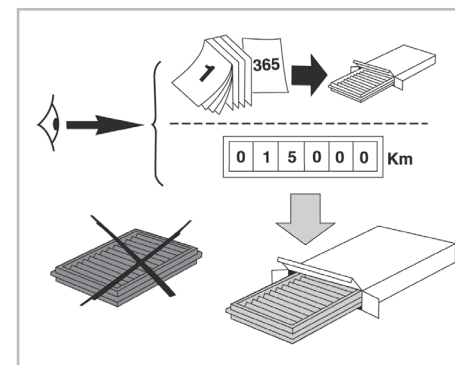
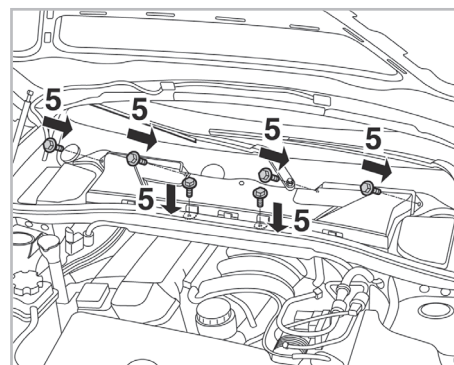
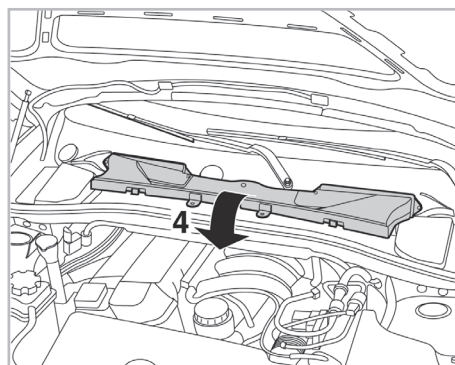
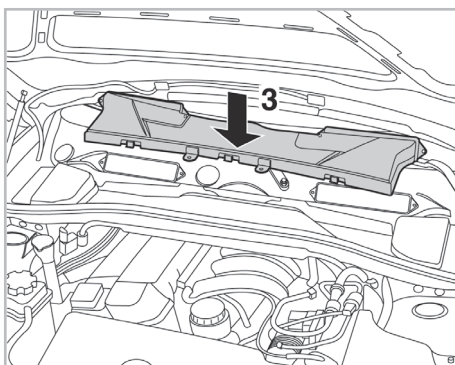
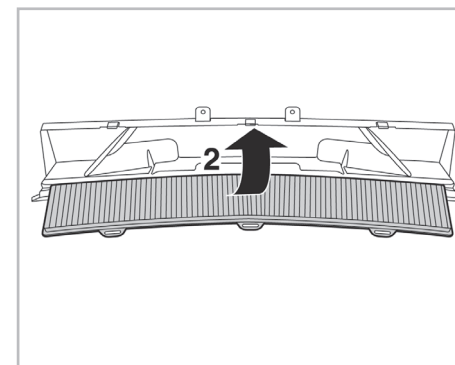
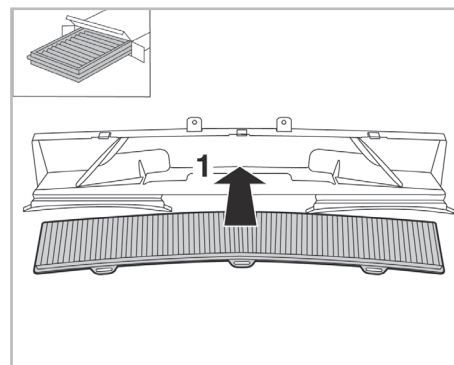
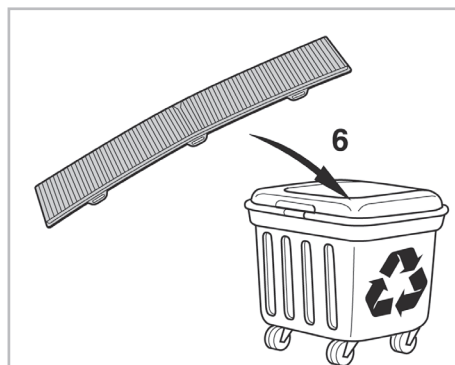
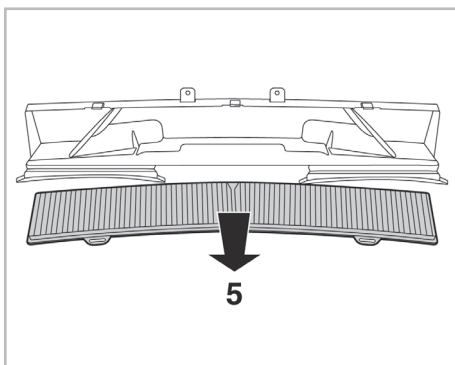
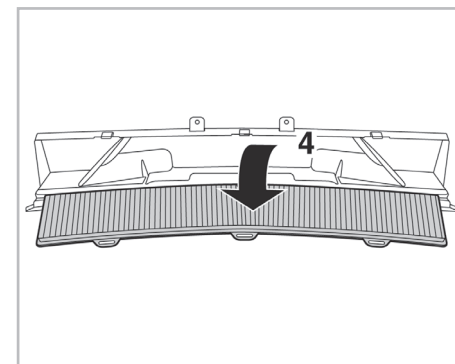
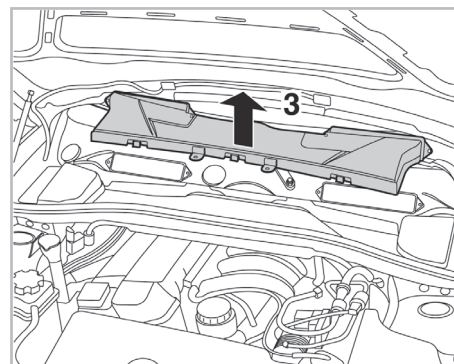
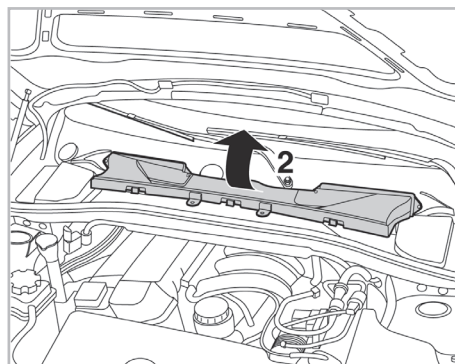
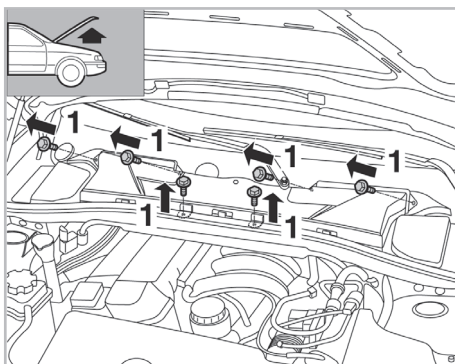
FH603



CA

FOR
BMW

SERIES 1 (E87) A/C+ (09/04 >) / SERIES 3 (E90/91/92) A/C+/- / X1 (E84) (10/09 >)



WANT TO
KNOW MORE?



www.valeo-techassist.com

Valeo Service - Société par Actions simplifiée - Capital de 12 900 000€ - 70, rue Playel, 93285 Saint-Denis Cedex - France - B 306 486 408 RCS Bobigny